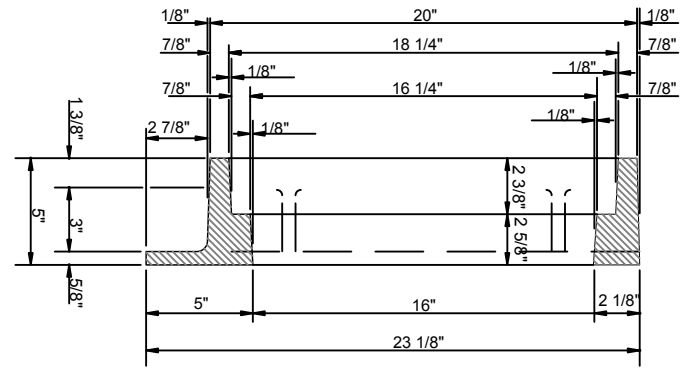
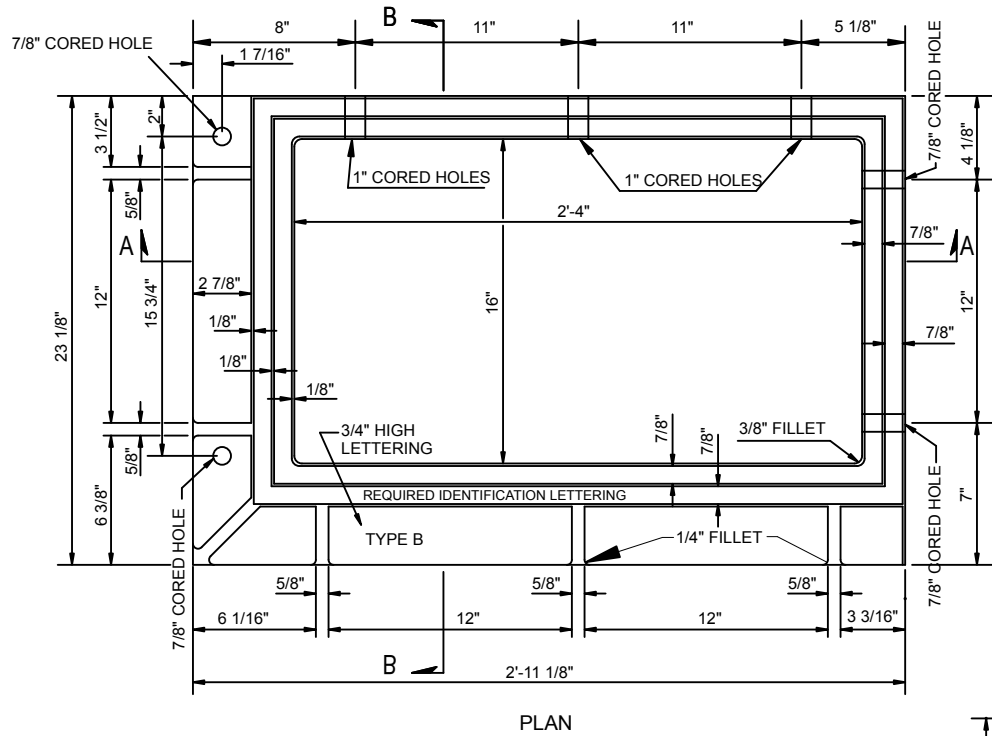
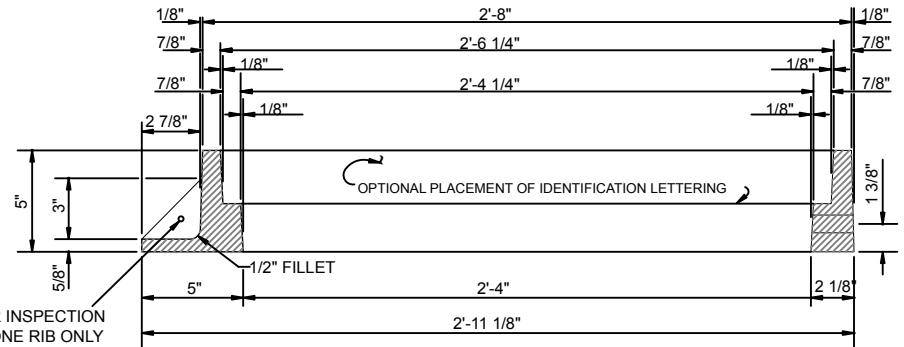


:STANDARD DETAIL S\STORM\STRM-05

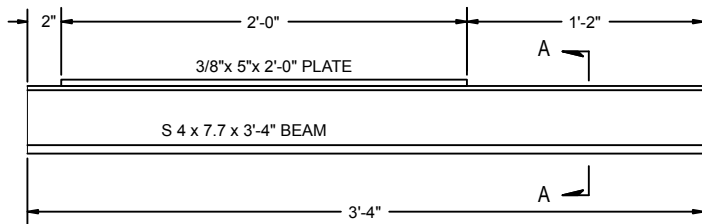


SECTION B-B

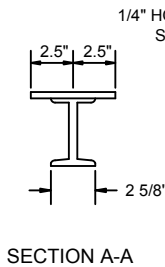


SECTION A-A

STORM SEWER INLET FRAME
NEENAH R-3077 OR AN APPROVED EQUAL



ELEVATION



SECTION A-A

SUPPORT BEAM
PLATE TO BE USED WHEN
STRUCTURE IS BUILT ON
CURVED CURB

NOTE: MAKE ONE FRAME AS SHOWN AND ONE REVERSED
FOR INLETS GREATER THAN ONE FRAME
WITH SUPPORT BEAM OR BEAMS IN BETWEEN.

REVISION	BY	DATE	STORM SEWER INLET FRAME TYPE B	
			STANDARD DETAILS	
			CITY OF OWASSO, OKLAHOMA	
			PUBLIC WORKS DEPARTMENT ENGINEERING DIVISION	
			DATE: 05/05	STANDARD NO. STRM-05